



# OUTDOOR WASTE AREAS

How long will it take before a fire outside your building is detected?

Outdoor waste areas are often filled with large amounts of flammable materials, stored close to buildings. Materials that can self-ignite or be set on fire intentionally. Such areas are seldom protected due to lack of fire detection systems covering the facade. A fire is not discovered until the smoke has seeped into the building, where the detectors are located. By then it might be too late.

One of the major challenges protecting the outside of buildings is limiting the monitoring to the concerned objects or areas, and not the surrounding area. Snow, rain and dirt are also affecting the detection. We have found a solution that works.



The need for early detection of open flame is critical to avoid a massive fire, possibly leading to loss of life and property.

The Autronica Dual IR Flame Detector will monitor the entire area and give warning immediately when an open flame is observed. The detector can be a part of the General Fire Alarm System or a stand-alone system for the Waste area only.

## Outdoor protection with AutoFlame IR flame detector

**In order to save lives and prevent damage to buildings, it is crucial that the fire is detected as early as possible and that the fire department is notified immediately.**

AutoFlame IR flame detector is robust and environmentally protected, making it ideal for outdoor use. The flame detector is mounted on a discreet bracket protecting the detector against the weather. Limited by the walls of the bracket, the detector field of view is 45 degrees. The mounting arm is adjustable to adapt the detector's cone of vision according to needs, both horizontally and vertically. In this way, the flame detector is directed at the facade only, without interruption from the surrounding area. It is also protected from snow, water or other kinds of pollution that is limiting or obstructing the detector's visibility or sensitivity.



### Why choose flame protection from us?

Operational manager

- Responsible for the safety of everyone residing in the building.
- The system must be operational at all times.
- Smart technology prolongs the life cycle and enhances the precision of the detector
- Weather proof detector and extra weather protection in the bracket ensures optimal operation in any climate

Owner

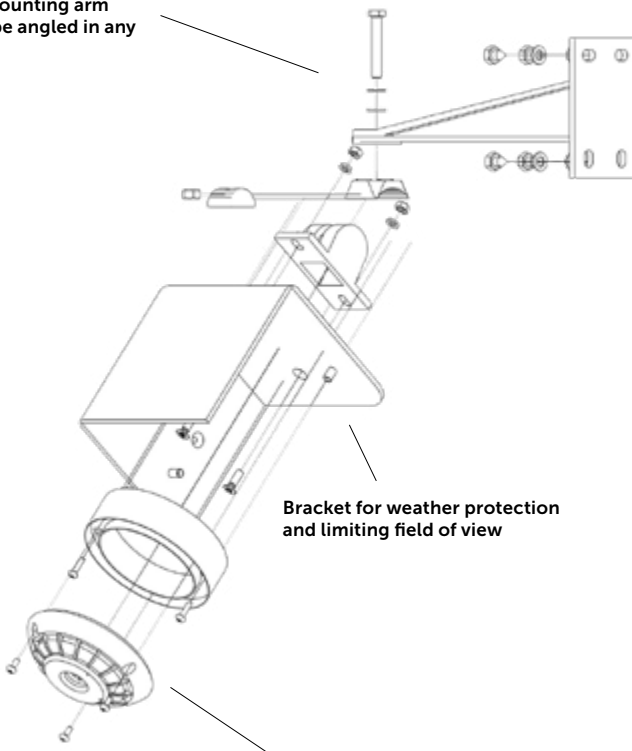
- Responsible for the safety of everyone residing in the building.
- An incipient fire must be detected as soon as possible
- The flame detector detects fire rather than waiting for smoke to seep into the building. With this type of protection a fire will be discovered far earlier.



## Order the outdoor protection kit

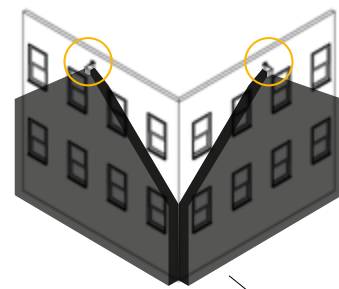
Complete bracket w/mounting arm, coupled with AutroFlame IR flame detector BG-201.  
116-BG-201F

Robust mounting arm  
that can be angled in any  
direction

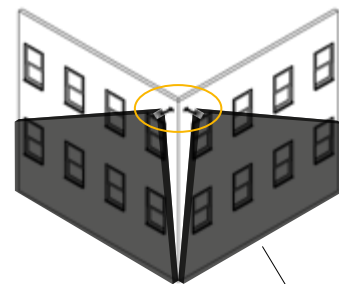


Bracket for weather protection  
and limiting field of view

AutroFlame IR flame detector is  
weather proof, has high false alarm  
immunity and provides accurate  
detection



Recommended mounting:  
Vertical mounting for  
monitoring objects such as  
garbage containers.



Alternative mounting:  
Horizontal mounting for optimal  
coverage of the facade.

Fire department

- Responsible for fire fighting, lifesaving and salvage rescue. Quick response is essential to limit damage to life, environment and property.
- Early warning enables early turn-out and fire fighting.
- Smart technology recognizes sources of error and reduces the number of unwanted alarms.

Residents

- Have a safer everyday life, and gain more time to evacuate should the worst thing happen.





**AUTRONICA**  
United Technologies

## ONE SUPPLIER – TOTAL FIRE SAFETY

Fire safety is increasingly prioritized in large parts of the world, and we are happy to be part of that development. We make everyday life safer for factory workers in Brazil, hospital patients in The Netherlands and people shopping for groceries at the mall in Malaysia.

Our vision: Zero loss of lives, no injuries or damages caused by fire and gas

### **Service and maintenance**

Service and maintenance must be performed in accordance with local/national requirements. We recommend an annual service and control of the total system. We refer to relevant procedures included in the installation and commissioning handbooks from Autronica. We recommend that you let us or one of our certified partners take care of the service.

### **Approvals and standards**

Local/national standards apply. All our fire safety products are approved according to EN 54. For certificates, visit our website.

Autronica Fire and Security  
[www.autronicafire.com](http://www.autronicafire.com)

2019-07-18